

OPERATING MANUAL

Vacuum Filtration Systems

VF203A/VF203B/VF205A/VF205B



WIGGENS
THE MAGIC MOTION

WIGGENS GmbH

Gässlesweg 22-24, 75334 Straubenhardt,
Germany

Tel.: 0049 7248 4529088

Wiggins Co., Ltd.

Room 426, Hall A, Office Building M8, No.1
Jiuxianqiao East Road, Chaoyang District,
Beijing 100015, China

Tel: +86 400-809-2068

Fax: +86 400-809-2068-112

info@wiggins.com

www.wiggins.com

Congratulations!

You have made an excellent choice.

WIGGENS thanks you for the trust you have placed in us.

This operating manual has been designed to help you gain an understanding of the operation and possible applications of our instruments. For optimal utilization of all functions, we recommend that you thoroughly study this manual prior to beginning operation.

Unpacking and Inspecting

Please unpack the device carefully. Check that the package is right-side-up and then open it. Check that model of the product is one that you ordered. Check that there is no damage. If there is any damage, file a damage claim with the carrier. In the case of any damage a damage report should be requested immediately. These instructions must be followed fully for us to guarantee our full support of your claim for protecting against loss from concealed damage. The form required for filing such a claim will be provided by the carrier.

Changes without prior notification reserved

Important: keep operating manual for future use

Content

- 1.Intended Notice.....4
- 2.Unpacking.....4
- 3.Installation5
- 4.Warning5
- 5.Operation.....6
- 6.Operating procedure.....6
- 7.Warning:6
- 8.Parts List7
- 9.How to replace cartridge9
- 10.Ordering Information9
- 11.Service9
 - 11.1. Warranty.....9
 - 11.2.Contact /Technical Service10
- CE Conformity.....10

1.Intended Notice

This instrument is designed for laboratory usage only.

Before setting up and operating the Equipment, please read these instructions carefully to familiarize with all installation and operation process. Any individual shall be well trained by reading the instructions or by technical people from authorized distributors before operating the instrument.

The instrument shall not be modified or altered in any way. Any modification or alteration will void the warranty, void the regulatory certifications and create potential safety hazard.

We are not responsible for any injury or damage caused by using the instrument for any non-intended purpose, or modifying the instrument by any person who is not authorized.

2.Unpacking

When unpacking, notice is the instrument is in good situation. If not, please contact the distributor.

CE Conformity



The products described in the operating instructions conform to the requirements of the following European guidelines:

Low voltage regulations with respect to legal harmonization of the member countries concerning electric devices for use within certain voltage limits.

EMC guideline with respect to legal harmonization of the member countries concerning electromagnetic compatibility.

APPROVALS European	EN61326-1:2013, 2014/30/EU
	EN61010-1:2010, 2014/35/EU
	EN60204-1:2006, 2006/42/EC
	EN50581:2012, 2011/65/EU

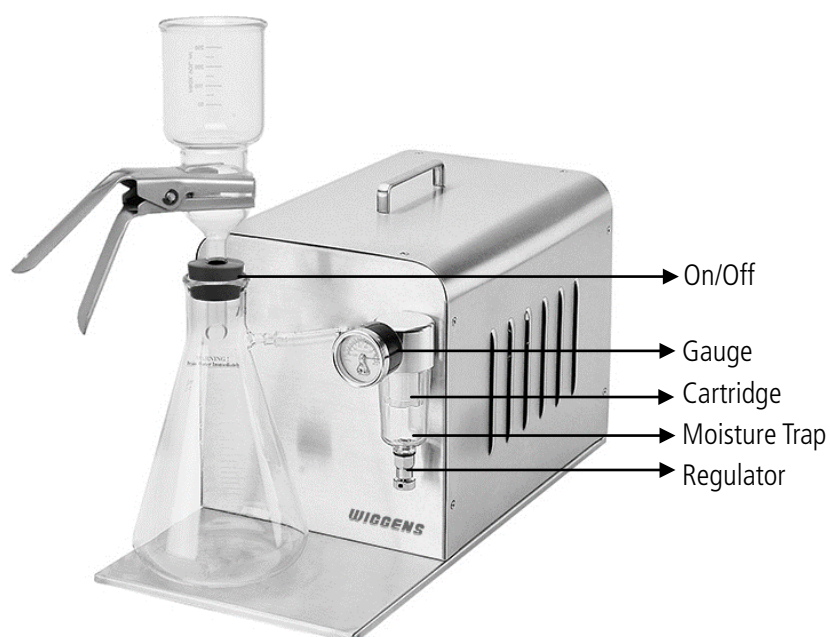
3. Installation

- 1) Check voltage specified on name-plate on the bottom. Make sure if it matches the line voltage in your location.
- 2) Install the instrument in clean, dust-less and ventilated area under 40°C
- 3) Connect the outlet of suction flask and the inlet of moisture trap with a high-pressure hose.
- 4) Install funnel and filter if necessary.
- 5) For reducing noise, the outlet tube is not connected with the instrument, but the instrument comes with a pressure hose and a nipple. To enable pressure function, please the cover and remove muffler at outlet charge off inner pump then replace with a hose nipple and connect it to the outlet of filtration stand.

4. Warning

- 1) The instrument is not corrosion-proof. Please do not operate it with corrosive gases directly.
- 2) when instrument is used in water filtration, do not make the liquid level of flask exceed, safety level. Failure to comply can result in serious damage to the instrument and void the warranty, If it occurs, please contact the distributor immediately for service.
- 3) The filter cartridge is used to absorb moisture and dust. Please replace the cartridge to maintain proper pumping efficiency when it is saturated.
- 4) If the instrument does not work when restarted during operation, release the vacuum, and turn-on again. Otherwise may result overloading and damage the motor.
- 5) This instrument has a thermal switch that automatically shuts-off when it becomes overheated or lack of voltage.
- 6) Do not use any lubricant, which may damage the instrument.
- 7) Use the instrument in a dry, clean well-ventilated area.
- 8) If the supply cord is damaged, it must be replaced by the manufacturer or its service agent or a competent person in order to avoid hazard.

5.Operation



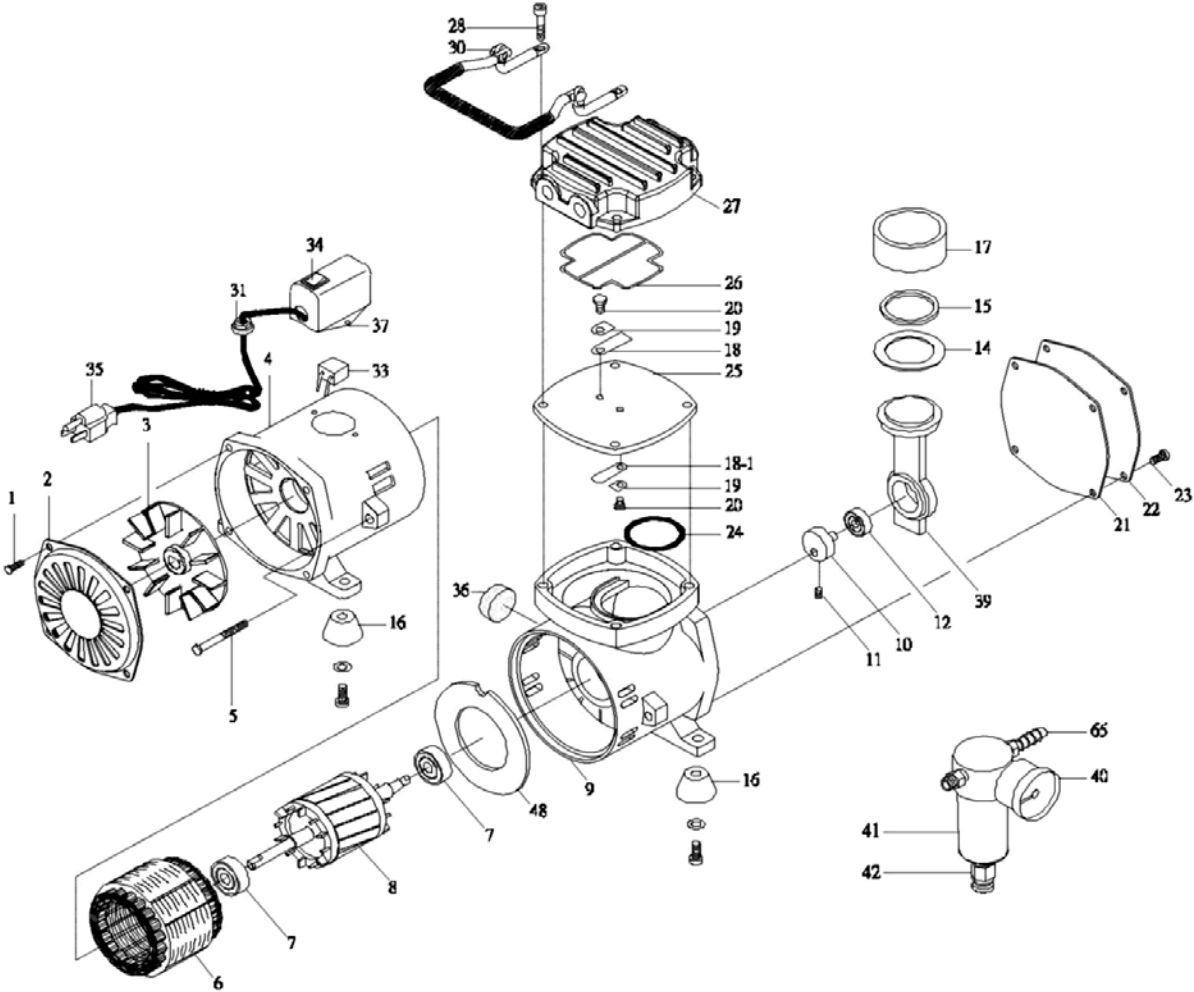
6.Operating procedure

1. Schematic of the pump system is shown as above.
2. Once all of tubes have been connected, pumping function is activated by pressing on/off①
3. To setup vacuum, adjust the regulator⑤.

7.Warning:

When instrument is used in water filtration, please be noted, never let the liquid level of flask exceed safety level. Failure to comply can result in serious damage to the instrument and void the warranty. If it occurs, please contact the distributor immediately for service.

8.Parts List



Index	Description	Q'ty	Index	Description	Q'ty
1	Setscrew	4	8	Rotary motor *(2P/4P)	1
2	Fan Cover	1	9	Front Body	1
3	Cooling Fan	1	10	Counterweight	1
4	Rear Body	1	11	Setscrew	1
5	Setscrew	2	12	Bearing	1
6	Stationary Motor	1	14	Compression Ring	1
7	Bearing	2	15	Lock Plate	1
16	Rubber Stand	4	30	Handle	1
17	Cylinder	1	31	Cable Protector	1
18	Valve Plate	1	33	Condenser	1
18-1	Valve plate	1	34	On/Off Switch	1
19	Valve Plate Lock	2	35	Plug	1
20	Setscrew	2	36	Air Intake Filter	1
21	Paper Pad	1	37	Condenser Cover	1
22	Front Body Lid	1	39	Connecting Rod	1
23	Setscrew	4	40	Pressure Gauge	1
24	O-ring	1	41	Moisture Trap	1
25	Cylinder Block	1	42	Drain Valve	1
26	O-ring	1	48	Isolation	1
27	Cylinder Head	1	65	Tier Connector	1
28	Setscrew	4			

9. How to replace cartridge

- 1) First, remove the moisture trap cup ④ by rotating it counterclockwise. Second, remove the cartridge in the same way, then replace a new one.
- 2) Pour the water out of the moisture trap cup when it is filled with water.

10. Ordering Information

167203A-22	VF203A Vacuum filtration system, AC220-240V, 50/60Hz
167203B-22	VF203B Vacuum filtration system, AC220-240V, 50/60Hz
167205A-22	VF205A Vacuum filtration system, AC220-240V, 50/60Hz
167205B-22	VF205B Vacuum filtration system, AC220-240V, 50/60Hz

11. Service

11.1. Warranty

In accordance with *WIGGENS* warranty conditions, the warranty period is 24 months. For claims under the warranty please contact your local dealer. You may also send the machine direct to our works, enclosing the delivery invoice and giving reasons for the claim. You will be liable for freight costs. The warranty does not cover wearing parts, nor does it apply to faults resulting from improper use or insufficient care and maintenance contrary to the instructions in this operating manual.

WIGGENS reserves the right to decide the validity of any warranty claim. In case of faults arising either due to faulty materials or workmanship, parts will be repaired or replaced free of charge.

Any other compensation claims, such as consumables, damages caused by corrosion or accidental breakage, are excluded from this guarantee.

This warranty may only be altered by a specifically published amendment. No individual has authorization to alter the provisions of this warranty policy or its amendments.

11.2.Contact /Technical Service

If your device is not working properly:

⇒ Please inform *WIGGENS* Instruments by using our contact information.

You have contacted *WIGGENS* Instruments?

⇒ Copy and complete the Confirmation of condition of unit from these operating instructions.

⇒ Please repack the device appropriately for transport and send to *WIGGENS* Instruments together with the Confirmation of condition of unit.

Our contact details

WIGGENS GmbH

Add: Gässlesweg 22-24, 75334 Straubenhardt, Germany

Tel.: 0049 7248 4529088

Wiggens Co., Ltd.

Room 426, Hall A, Office Building M8, No.1 Jiuxianqiao East Road, Chaoyang District, Beijing 100015, China

Tel: +86 400-809-2068

Fax: +86 400-809-2068-112

info@wiggens.com

service@wiggens.com

www.wiggens.com

Confirmation of condition of unit

In the case of repair, copy and complete the Confirmation of condition of unit and send it to *WIGGENS* Instruments.

1. Details about the unit

Product number

Serial number

Reason for repair

2. Has the device been cleaned, decontaminated/sterilized?

Yes

No

3. Is the unit in a condition which does not represent any health threats for the staff of our service department?

Yes

No

If not, which substances has the unit come into contact with?

4. Legally binding declaration

The customer is aware of being legally liable to *WIGGENS* Instruments for any damages arising from incomplete and incorrect information.

Date

Signature

Company stamp

Please Note

The shipper is responsible for the return of the goods in well-packed condition, suitable for the mode of transport.

Sender information

Name

Company

Department, research group Street

Zip code, city

Country

Phone

E-mail



WIGGENS GmbH

Gässlesweg 22-24, 75334 Straubenhardt, Germany

Tel.: 0049 7248 4529088

WIGGENS China

Room 426, Hall A, Office Building M8, No.1 Jiuxianqiao East Road,
Chaoyang District, Beijing 100015, China

Tel: +86 400-809-2068

Fax: +86 400-809-2068-112

info@wiggens.com

www.wiggens.com